

Figure 3

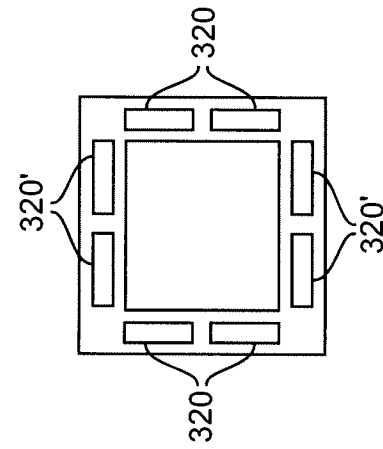
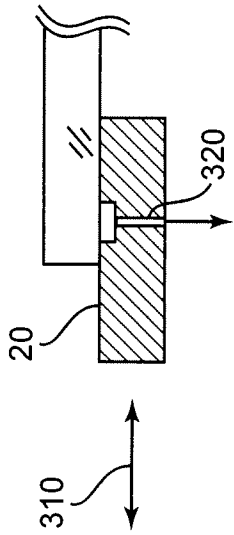


Figure 3A

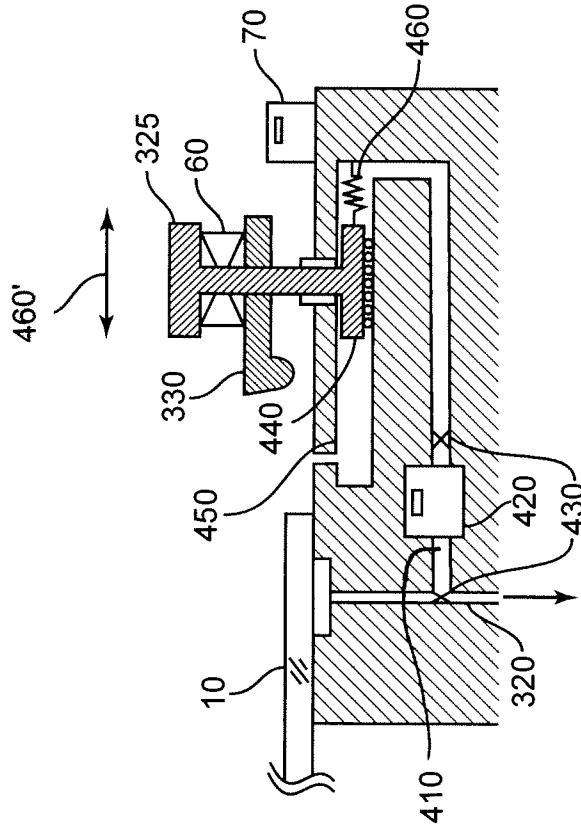


Figure 4

Replacement Sheet

4/7

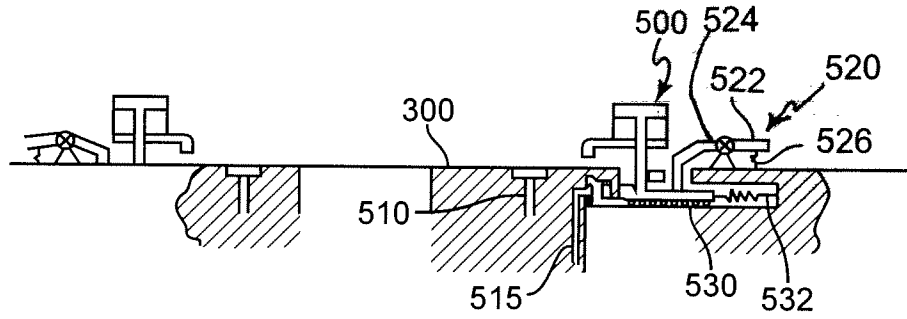


Figure 5

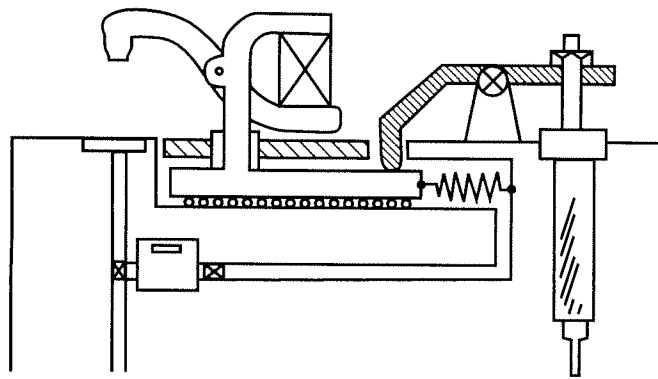


Figure 5A

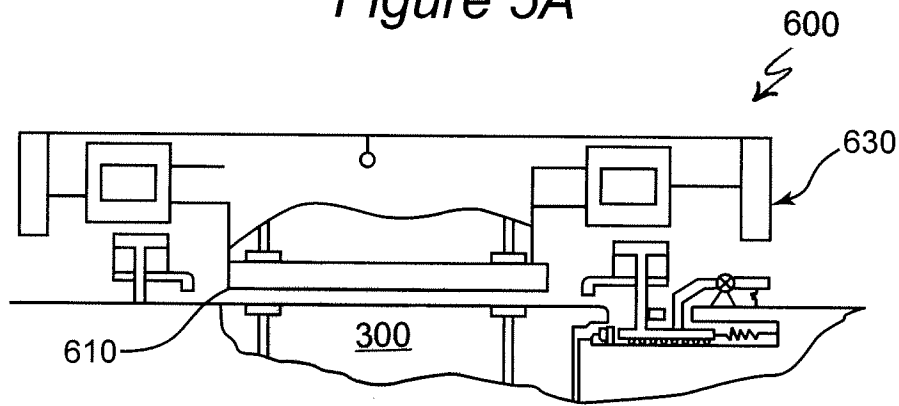


Figure 6

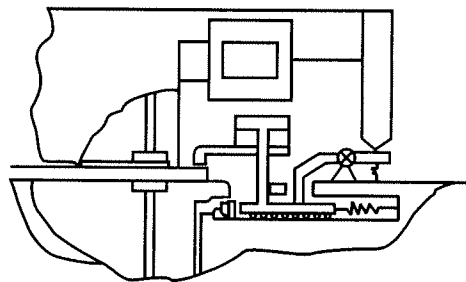


Figure 7